

**MEDISTEEL**
**Dual roll toilet tissue dispenser / Recessed**

**AIE320C**  
**Bright finish**

**AIE320CS**  
**Satin finish**
**General Description**

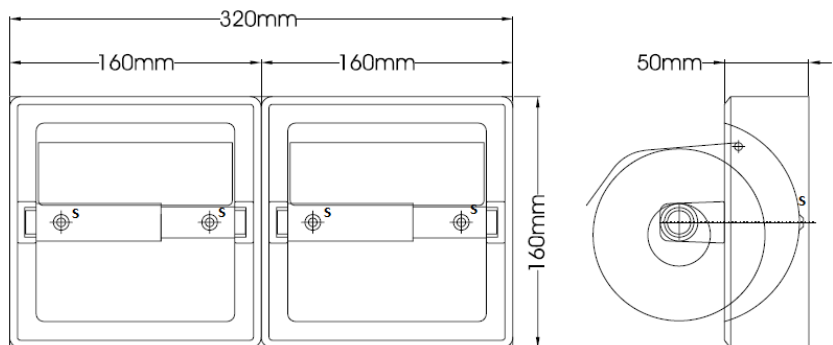
- Recessed mounted dual roll toilet tissue dispenser with hood, bright or satin finished, made in stainless steel AISI 304.
- The stainless steel AISI 304 construction protects the product against rust and ensures quality and longevity.
- Chrome-plated plastic spindle holds rolls up to 130 mm diameter.
- Model suitable for the hotel sector and for collectivities.

**Components & materials**

- **AIE320C:** AISI 304 stainless steel, bright finish.
- **AIE320CS:** AISI 304 stainless steel, satin finish.
- **HOUSING:** made in stainless steel AISI 304, 0.8 mm thick. Drawn, one-piece, seamless construction.
- **HOODS:** 2 made in stainless steel AISI 304, 1.2 mm thick.
- **SPINDLES:** 2 made in chrome-plated plastic equipped with an inner heavy-duty spring.
- Screws and plugs for installation to the wall are provided.

**Technical Specifications**

<b>General dimensions</b>	<i>160 x 320 x 50 mm</i>
<b>Housing and hood thickness</b>	<i>1.2 mm</i>
<b>Toilet paper roll</b>	<i>Max. Ø130 mm</i>

**Dimensions**


Dimensions: ±4%

**MOUNTING**

Verify all rough-in dimensions prior to installation. Requires rough wall opening aprox. 300 mm W x 140 mm H x 50 mm D. Mount unit inside the wall opening with stainless steel screws. Mounting distance shall be aprox. 760 mm from the ground to the top of the unit.